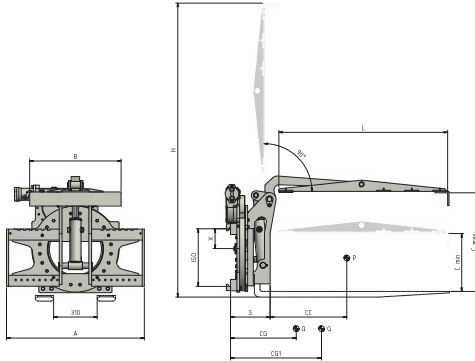


# 213

## 360° BOX ROTATOR WITH UPPER RESTRAINT ARM



Type 213 is suggested to empty boxes for each purpose (junk, recycle, agricultural), thanks to the special box blocking system during rotation.

REFERENCE	ATTACHMENT	LOAD	ISO	CARRIAGE	HEIGHT	BOX HEIGHT FROM		PLATE	THICKNESS	CENTER OF	CENTER OF	WEIGHT
	CAPACITY					CENTRE	2328					
	CLOSED	CC - mm	FEM	A - mm	H - mm	C MIN - mm	C MAX - mm	L - mm	S - mm	CG - mm	CG1 - mm	Q - Kg
<b>25A342A0006</b>	2500	500	II	980	1945	360	680	1175	320	175	245	275



Hydraulic functions required: 2.  
Maximum working pressure: 175 bar.

The references indicated on table are relative to standard attachments.  
For the position of hydraulic connection see detail below.

