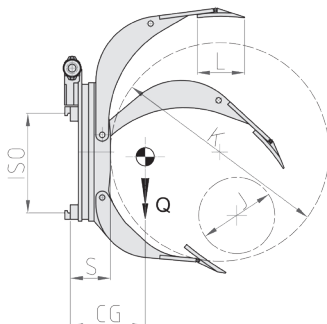
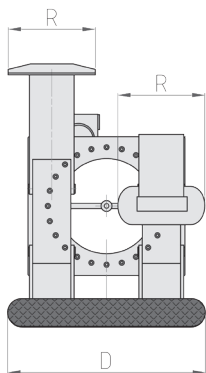


340DM

60° ROTATING ROLL CLAMP WITH ADJUSTABLE ARMS AND SPLIT LONG ARM



Series 340 DM clamps are built with short adjustable arm, that permit a wider opening and long split arm; 360° rotation, upon request blocked mechanically at 180°, allow to take and rotate one or more rolls overlapped with same diameter. A wide choice of openings, capacities and contact pads allow to find the attachment suitable for any need.

REFERENCE	ATTACHMENTS CAPACITY Kg	ISO 2328 FEM	ROLLS DIAMETER		CONTACT PADS		THICKNESS S - mm	CENTER OF GRAVITY CG - mm	WEIGHT Q - Kg
			J - mm	K - mm	DxL - mm	RxL - mm			
21G032G2C0001	900	II	250	1100	700x200	310x200	178	205	445
21G032G2C0002	900	II	250	1400	700x200	310x200	178	210	505
21G032Q2C0001	1300	II	250	1150	750x250	315x250	186	225	540
21G032Q2C0002	1300	II	250	1300	750x250	315x250	186	235	560
21G03342C0001	2000	II	250	1300	850x250	365x250	202	240	650
21G03343C0001	2000	III	250	1300	850x250	365x250	202	240	770
21G03343C0002	2000	III	250	1600	850x250	365x250	202	245	840
21G033G3C0003	2600	III	300	1300	900x250	390x250	215	250	910
21G033G3C0004	2600	III	480	1600	900x250	390x250	215	260	975
21G033Q3C0001	3000	III	250	1300	1015x300	445x300	225	265	1030
21G033W4C0001	3600	IV	480	1800	1050x300	465x300	255	270	1465



Hydraulic functions required: 2.
Maximum working pressure: 175 bar.

The references indicated on table are relative to standard attachments.
For the position of hydraulic connection see detail below.

