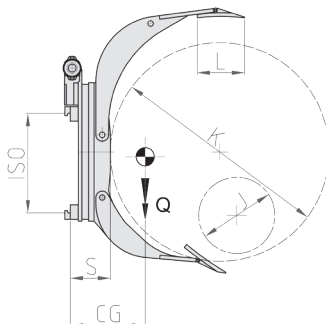
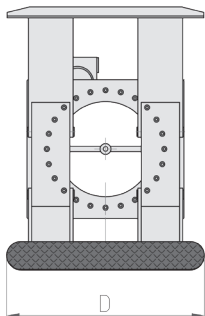


340SM

360° ROTATING ROLL CLAMP WITH ADJUSTABLE ARMS



Series 340 SM clamps are built with short adjustable arm, that permit a wider opening and long entire arm; 360° rotation, upon request blocked mechanically at 180°, allow to take and rotate one or more rolls overlapped with same diameter. A wide choice of openings, capacities and contact pads allow to find the attachment suitable for any need.

REFERENCE	ATTACHMENTS CAPACITY Kg	ISO 2328 FEM	ROLLS DIAMETER		CONTACT PADS DxL - mm	THICKNESS S - mm	CENTER OF GRAVITY CG - mm	WEIGHT Q - Kg
			J - mm	K - mm				
21G012G2C0001	900	II	250	1100	700x200	178	205	460
21G012G2C0002	900	II	250	1400	700x200	178	210	520
21G012Q2C0001	1300	II	250	1150	750x250	186	225	550
21G012Q2C0002	1300	II	250	1300	750x250	186	235	575
21G01342C0001	2000	II	250	1300	850x250	202	240	670
21G01343C0002	2000	III	250	1300	850x250	202	240	790
21G01343C0003	2000	III	250	1600	850x250	202	245	960
21G013G3C0004	2600	III	300	1300	900x250	215	250	860
21G013G3C0005	2600	III	480	1600	900x250	215	260	995
21G013Q3C0001	3000	III	250	1300	1015x300	225	265	1060
21G013W4C0001	3600	IV	480	1800	1050x300	255	270	1495



Hydraulic functions required: 2.
Maximum working pressure: 175 bar.

The references indicated on table are relative to standard attachments.
For the position of hydraulic connection see detail below.

