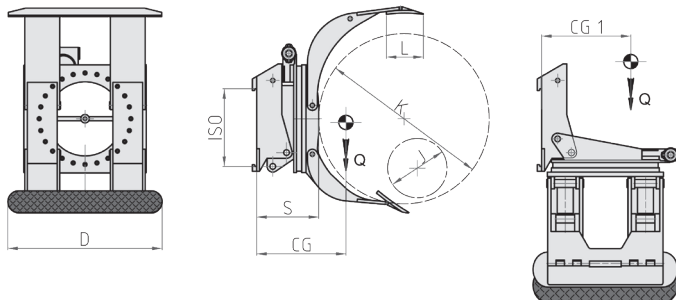


342SM

360° ROTATING ROLL CLAMP WITH 90° FORWARD TIPPING AND ADJUSTABLE ARMS



Series 342 SM clamps are built with short adjustable arm, that permit a wider opening and long entire arm; 360° rotation, upon request blocked mechanically at 180°, allow to take and rotate one or more rolls overlapped with same diameter; 90° front tipping allow to take rolls lay down perpendicularly at the axe of the forklift. A wide choice of openings, capacities and contact pads allow to find the attachment suitable for any need.

| REFERENCE | ATTACHMENTS CAPACITY Kg | ISO 2328 FEM | ROLLS DIAMETER | | CONTACT PADS DxL -mm | THICKNESS S - mm | CENTER OF GRAVITY | CENTER OF GRAVITY | WEIGHT Q - Kg |
|---------------|----------------------------|--------------|----------------|-------|-------------------------|---------------------|-------------------|-------------------|------------------|
| | | | J -mm | K -mm | | | CG -mm | CG1 -mm | |
| 21J012G2C0001 | 900 | II | 250 | 1100 | 700x200 | 295 | 270 | 395 | 700 |
| 21J012G2C0002 | 900 | II | 250 | 1400 | 700x200 | 295 | 275 | 415 | 740 |
| 21J012Q2C0001 | 1300 | II | 250 | 1150 | 750x250 | 295 | 290 | 435 | 760 |
| 21J012Q2C0002 | 1300 | II | 250 | 1300 | 750x250 | 295 | 295 | 445 | 790 |
| 21J01342C0001 | 2000 | II | 250 | 1300 | 850x250 | 310 | 305 | 475 | 890 |
| 21J01343C0001 | 2000 | III | 250 | 1300 | 850x250 | 335 | 305 | 475 | 1080 |
| 21J01343C0002 | 2000 | III | 250 | 1600 | 850x250 | 335 | 310 | 495 | 1150 |
| 21J013G3C0001 | 2600 | III | 300 | 1300 | 900x250 | 370 | 315 | 505 | 1265 |
| 21J013G3C0002 | 2600 | III | 480 | 1600 | 900x250 | 370 | 325 | 535 | 1320 |
| 21J013Q3C0001 | 3000 | III | 250 | 1300 | 1015x300 | 380 | 330 | 530 | 1580 |
| 21J013W4C0001 | 3600 | IV | 480 | 1800 | 1050x300 | 420 | 335 | 580 | 1920 |



Hydraulic functions required: 3.
Maximum working pressure: 175 bar.

The references indicated on table are relative to standard attachments.
For the position of hydraulic connection see detail below.

