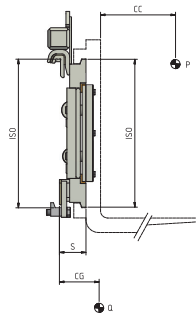
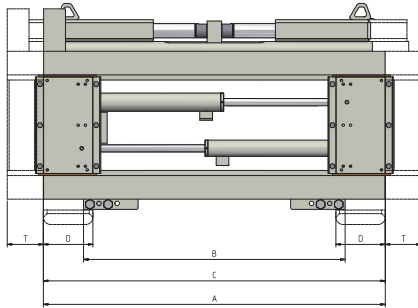


# 676

## FORK POSITIONER WITH INTEGRAL SIDESHIFT



This model guarantee a constant and synchronized movement of the forks, using differentiated cylinders. On these attachments we suggest to mount FEM forks with max. length 1500 mm. Adjustable plates allow to use forks with different sections. On every model a pressure limit valve is supplied as standard.

| REFERENCE          | ATTACHMENT CAPACITY | LOAD CENTRE | ISO 2328 FEM | CARRIAGE WIDTH | EXTERNAL HOOKS | OPENING RANGE |            | FORK WIDTH | STROKE | THICKNESS | CENTER OF GRAVITY | WEIGHT |
|--------------------|---------------------|-------------|--------------|----------------|----------------|---------------|------------|------------|--------|-----------|-------------------|--------|
|                    | P - Kg              | CC - mm     |              |                |                | C MIN - mm    | C MAX - mm |            |        |           |                   |        |
| <b>17TLL3C2004</b> | 5000                | 500         | III          | 1500           | 880            | 430           | 1500       | 150        | 100    | 80        | 46                | 202    |
| <b>17TLL3C2005</b> | 5000                | 500         | III          | 1560           | 950            | 430           | 1560       | 150        | 100    | 80        | 46                | 205    |
| <b>17TLL3C2006</b> | 5000                | 500         | III          | 1660           | 1050           | 430           | 1660       | 150        | 100    | 80        | 46                | 210    |
| <b>17TR04C2009</b> | 8000                | 600         | IV           | 1420           | 1200           | 560           | 1420       | 200        | 100    | 94        | 49                | 313    |
| <b>17TR04C2013</b> | 8000                | 600         | IV           | 1600           | 1440           | 560           | 1600       | 200        | 100    | 94        | 50                | 374    |
| <b>17TR04C2011</b> | 8000                | 600         | IV           | 1800           | 1500           | 560           | 1800       | 200        | 100    | 94        | 50                | 383    |
| <b>17TR04C2012</b> | 8000                | 600         | IV           | 2000           | 1500           | 560           | 2000       | 200        | 150    | 94        | 50                | 409    |



Hydraulic functions required: 2.  
Maximum working pressure: 80 bar.

The references indicated on table are relative to standard attachments.  
For the position of hydraulic connection see detail below.

