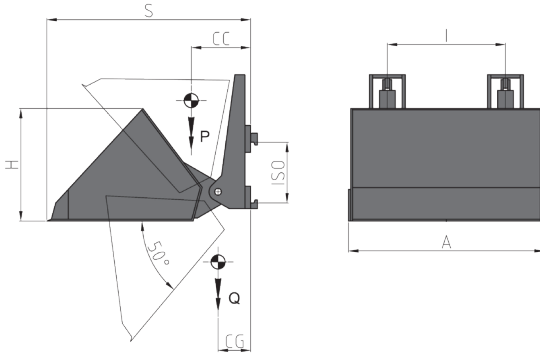


965 HYDRAULIC BUCKET



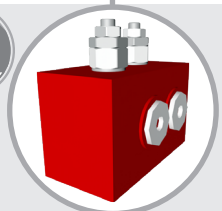
Series 965 Hydraulic Bucket are designed to allow load/unload operation of material for building industry (sand, gravel, concrete, terrain), but are often used also in agriculture.

REFERENCE	ISO 2328 FEM	ATTACHMENTS CAPACITY	LOAD CENTRE	LOADING CAPACITY	BUCKET DIMENSIONS			THICKNESS	CENTER OF GRAVITY	WEIGHT
		P- Kg	CC- mm	m ³	A- mm	H- mm	I- mm	S- mm	CG- mm	Q- Kg
41A082A006	II	930	450	0,52	1000	704	580	1415	320	320
41A0A2A002	II	1110	450	0,62	1200	704	580	1415	340	340
41A0D2A001	II	1310	450	0,73	1400	704	580	1415	360	360
41A0E2A002	II	1530	480	0,85	1200	925	600	1540	360	480
41A0E3A002	III	1530	480	0,85	1200	925	600	1540	360	500
41A0J2A004	II	1760	480	0,98	1400	925	600	1540	390	510
41A0J3A004	III	1760	480	0,98	1400	925	600	1540	390	510
41A0L2A002	II	2010	480	1,12	1600	925	600	1540	410	540
41A0L3A002	III	2010	480	1,12	1600	925	600	1540	410	540
41A0P3A002	III	2610	520	1,45	1600	1205	800	1960	400	670
41A0P4A002	IV	2610	520	1,45	1600	1205	800	1960	400	670
41A0Q3A001	III	2920	520	1,62	1800	1205	800	1960	430	700
41A0Q4A001	IV	2920	520	1,62	1800	1205	800	1960	430	700
41A0S3A001	III	3240	520	1,8	2000	1205	800	1960	450	730
41A0S4A001	IV	3240	520	1,8	2000	1205	800	1960	450	730



Hydraulic functions required: 1.
Maximum working pressure: 175 bar.

The references indicated on table are relative to standard attachments.



The positioning of the hydraulic connection is defined with the client during the definition of the order.