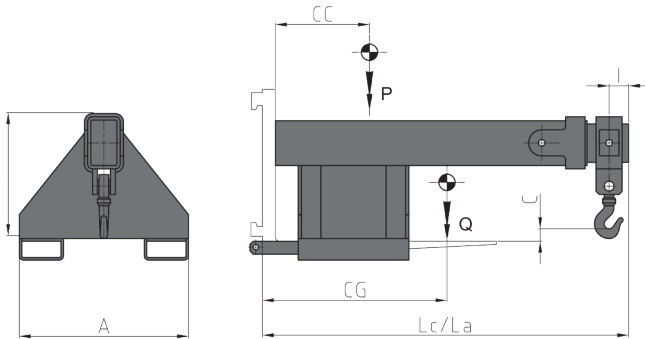


976

FORK MOUNTED CRANE JIB WITH EXTENDING ARM



Series 976 Fork mounted Crane Jibs are designed to move suspended loads through belts or chains.

REFERENCE	ATTACHMENTS CAPACITY	LOAD CENTRE	WIDTH	HEIGHT	LENGTH CLOSED	LENGTH OPEN	HOLE DISTANCE	HOOK HEIGHT	CENTER OF GRAVITY	WEIGHT
	P - Kg	CC - mm	A - mm	H - mm	Lc - mm	La - mm	l - mm	C - mm	CG - mm	Q - Kg
45MFA6D001	2500	500	620	481	1376	1976	76	15	540	170
45MHY6D001	3500	500	720	580	1376	1976	76	20	250	250
45MLL6D001	5000	500	720	580	1376	1976	76	20	580	280
45MRO4C001	8000	600	830	730	1486	2086	86	20	590	530



The combination of attachment and forklift must be homologated. The delivery of this attachment does not include the documents required for the homologation.

The references indicated on table are relative to standard attachments.